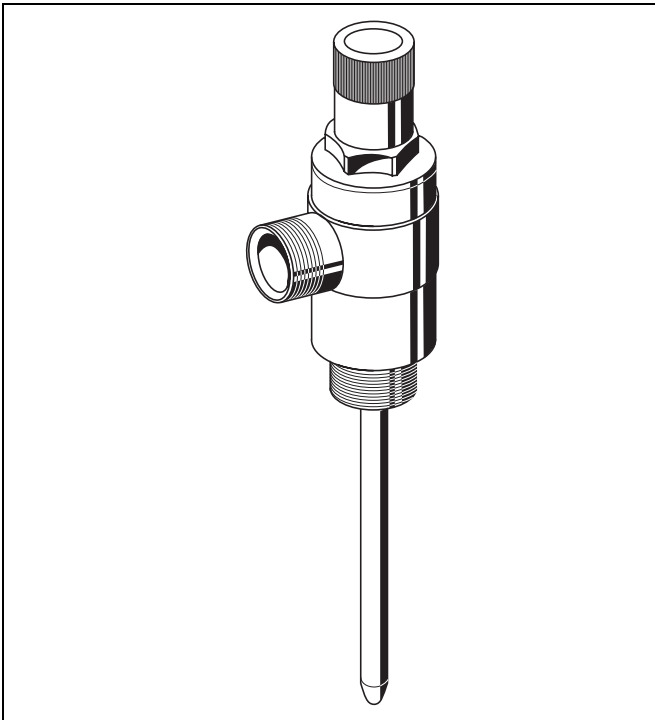


TP152

Combined pressure-temperature safety valve

Product specification sheet



Construction

The combined valve consists of:

- Housing
- Valve insert
- Adjustment spring
- Lateral discharge

Materials

- Dezincification resistant brass housing
- High-quality synthetic material valve insert
- Spring steel adjustment spring
- Hot-water resistant valves and diaphragm

Application

TP152 combined safety valves provide double protection, enabling control and limitation of the temperature and pressure of hot water contained in a storage tank, keeping temperatures from below 95°C and thus preventing the formation of steam.

By suitably calibrating the valve, once a set temperature and/or pressure is reached, the valve discharges a suitable amount of water into the atmosphere to return pressure and temperature to values within the plant operating limits.

Special Features

- Horizontal and vertical assembly (not upside-down)
- Models with preset opening pressure 2.5 to 6 bar
- The adjustment spring is not in contact with drinking water
- The valve insert is made of high-quality synthetic material
- Light weight

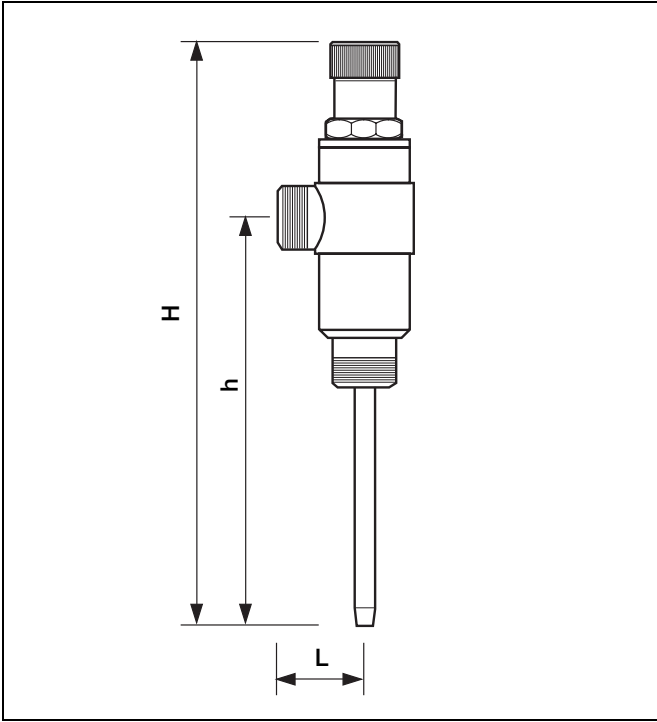
Range of Application

Medium	For hot water storage, in compliance with applicable standards (e.g. DIN 4753, Part 1 e DIN 1988)
Discharge temperature	95°C
Preset pressures in the various models	2.5, 3.0, 3.5, 4.0, 6.0 bar

* Valve discharge must be connected to a pipe section so as to allow a safe outlet for excess water or venting due to excess pressure

Technical Data

Operating temperature	max. 95°C
Connection size	G ¹ / ₂ " - G ¹ / ₂ "



Method of Operation

The TP152 valve has to be installed on top of the hot water storage tank in such a manner that the temperature sensor is correctly immersed in the tank. The valve opens the discharge when operating conditions approach calibrated values of:

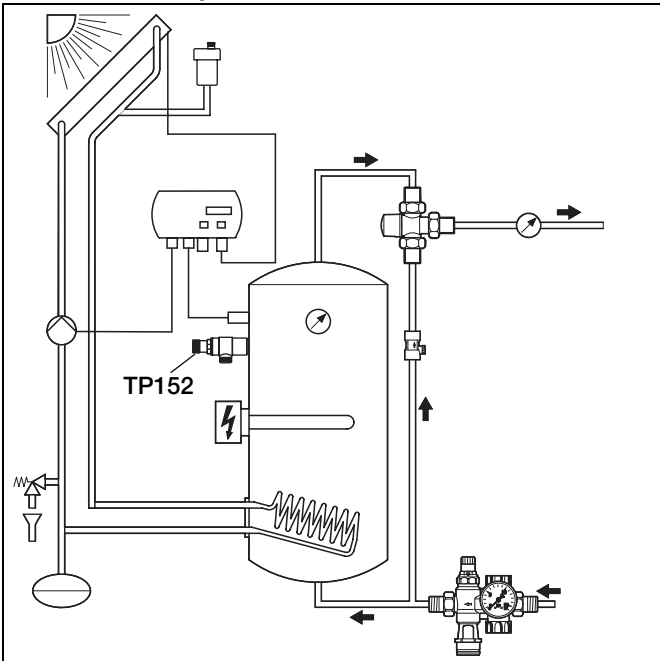
- Pressure: in normal conditions, the valve diaphragm is held closed by the force from the calibrated spring; when system pressure exceeds calibrated values (2.5, 3.0, 3.5, 4.0, 6.0 bar), the valve diaphragm lifts and opens the discharge. The calibrated pressure, and thus the valve model TP152, are selected according to the maximum allowed plant pressure.
- Temperature: as the temperature sensed by the temperature sensor rises, the thermostat compound inside the temperature sensor expand and causing when temperature exceeds 95°C to open discharge valve.

Options

- TP152-1/2ZA Opening pressure 6.0 bar
- TP152-1/2ZB Opening pressure 4.0 bar
- TP152-1/2ZC Opening pressure 3.0 bar
- TP152-1/2ZD Opening pressure 3.5 bar
- TP152-1/2ZH Opening pressure 2.5 bar

Connection size	G1/2"	
Discharge connection size	G1/2"	
Dimensions	in mm	
	L	28
	h	130
	H	185

Installation Example



Installation Guidelines

- TP152 safety valves have to be installed on top of water storage tank in such a manner that the temperature sensor is correctly immersed in the tank.
- Do not put a shut-off device between valve and storage tank.
- Combined safety valves can be mounted both in a horizontal (as in figure) and a vertical position, but not upside-down, as impurities may be deposited that could compromise valve operation.

Automation and Control Solutions

Honeywell GmbH
 Hardhofweg
 D-74821 Mosbach
 Phone: (49) 6261 810
 Fax: (49) 6261 81309
<http://europe.hbc.honeywell.com>
www.honeywell.com

Manufactured for and on behalf of the
 Environmental and Combustion Controls Division
 of Honeywell Technologies Sàrl, Z.A. La Pièce 16,
 1180 Rolle, Switzerland by its Authorised Representative Honeywell GmbH

EN0H-1370GE23 R0610
 Subject to change without notice
 © 2010 Honeywell GmbH

Honeywell

AutomatikCentret

Strandvejen 42 • Saksild • 8300 Odder
 86 62 63 64 • www.automatikcentret.dk
info@automatikcentret.dk